

# **BSTUC- 1M**

## **Subminiature Hermetic Thermostat**

## 1. Product Overview

BSTUC-1M is contact-and-induction version thermostats, which have passed UL certification. They are characterized by small size, light weight, high precision and outstanding general purpose function, suitable for temperature controlling and overheat protection in equipments of aerospace and other field.

Adopted military standard: MIL-S-24236.

## 2. Environment Characteristics

No.	Item	Data	
1	Environmental level	II	III
2	Ambient temperature range	-65°C~ +125°C	
3	Low atmospheric pressure (kPa)	1.06	1.06
4	Vibration	Frequency (Hz)	10~500
		Acceleration (m/s <sup>2</sup> )	100
5	Shock	Acceleration (m/s <sup>2</sup> )	500
		Pulse lasting time	11
		Acceleration (m/s <sup>2</sup> )	200
6	Acceleration (m/s <sup>2</sup> )	200	500

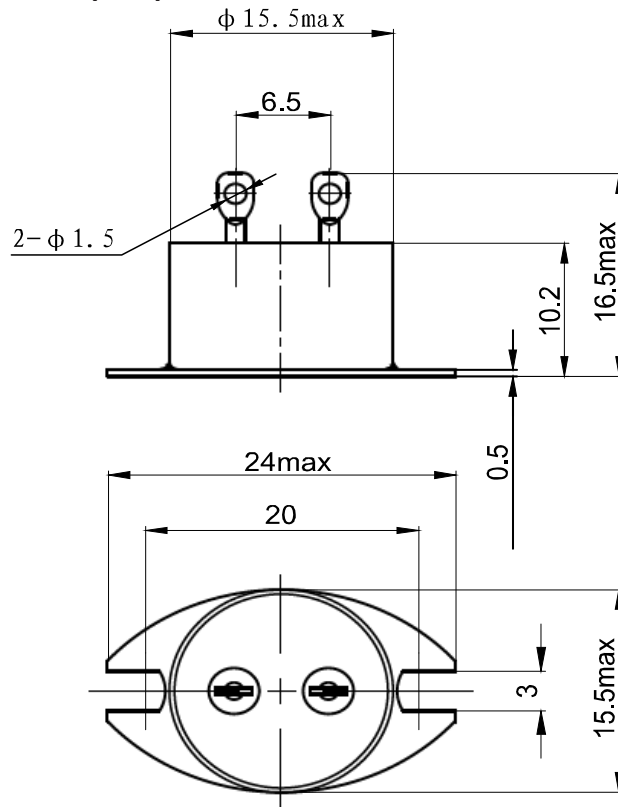
## 3. Product Specifications

Contact arrangement		1D or 1H	
Operating temperature range(°C)		- 10~+ 150	
Operating temperature tolerance(°C)		See main technical datum table	
Restoration temperature(°C)		See main technical datum table	
Contact resistance(Ω)		Before life	≤0.05
		After life	≤0.10
Insulation resistance (MΩ)	Under normal condition	≥500	
	Under high temperature and high humidity	≥10	
Dielectric withstanding voltage(50Hz)	Under normal condition	500Vr.m.s.	Life
	Under low atmospheric pressure	350Vr.m.s.	Weight
		Contact load	Resistive : 1A, 28Vd.c. 1A, 220Va.c.(50Hz) 1A, 115Va.c.(400Hz)
		sealed	≤1.013 Pa·cm <sup>3</sup> /s
			2×10 <sup>4</sup> operations
			≤9 grams

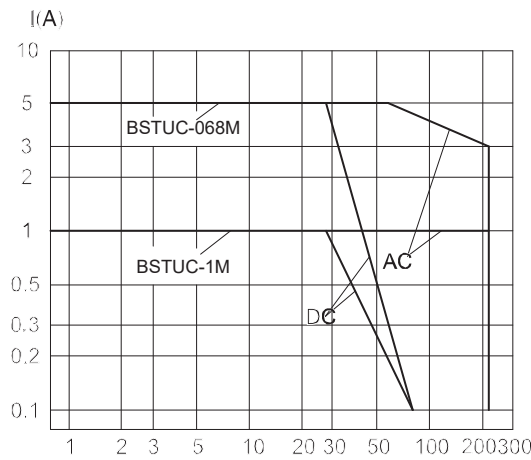
## 4. Main Technical Datum

Part No.	Nominal operating temperature value	Operating temperature tolerance	Restoration temperature	
- 10~+ 110	Any value withing range - 10°C to +110°C	±3°C, ±5°C, ±7°C (If applicable)	Upper limit	Below corresponding operating temperature value 3°C
			Lower limit	Below corresponding operating temperature value 15°C
+ 111~+ 150	Any value withing range +111°C to +150°C		Upper limit	Below corresponding operating temperature value 3°C
			Lower limit	Below corresponding operating temperature value 20°C

**Outline Mounting Dimensions(mm)**



**Load characteristics**



**Orders Information**

